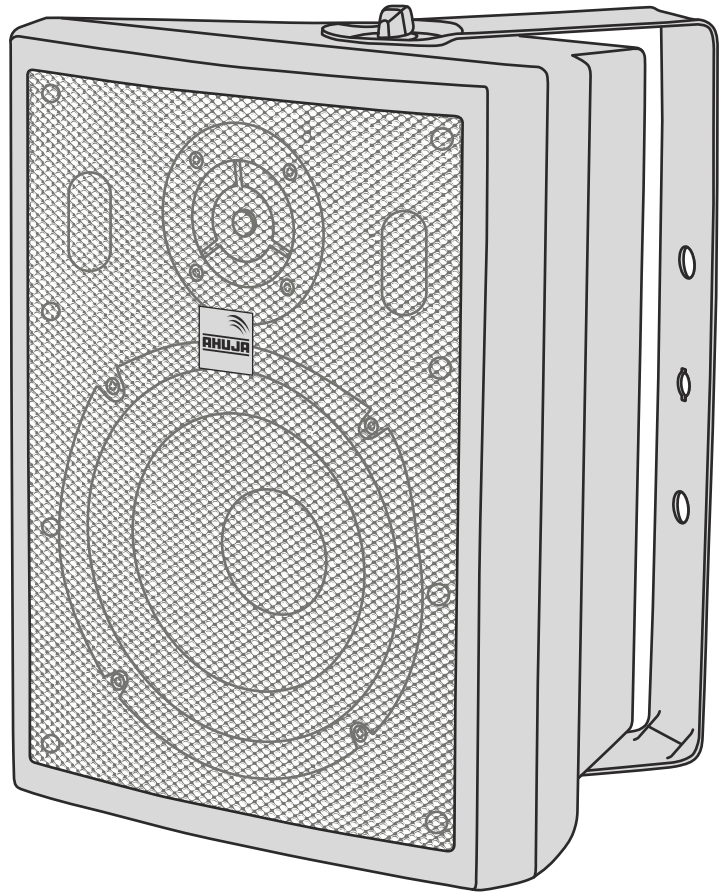


AHUJA®

SMX

SERIES

2-Way Multi Purpose PA Wall Speakers



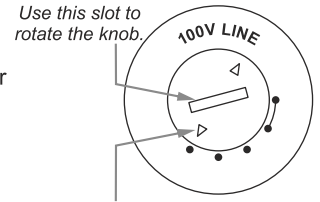
Features

- Compact versatile and weather resistant 2-way hi-fidelity speaker systems.
- Each speaker system has a polypropylene cone woofer and a TITANIUM dome tweeter with a 2-way crossover network.
- Housed in a trapezoidal shaped black plastic enclosure which permits its usage in vertical / horizontal array configurations.
- The low impedance (8Ω) version is available in three models: SMX-902 (90W), SMX-602 (60W) & SMX-302 (30W).
- Three selectable power taps, alongwith OFF positions, provided in each 100V line model:
SMX-902T – 90/60/30W
SMX-602T – 60/30/15W
SMX-302T – 30/15/7.5W
- Easy power tap selection in 100V line models possible through a slotted rotary switch knob at the rear.
- Quick and secure speaker wire connections through spring loaded terminals, marked 'INPUT' available on the rear panel of each speaker system.
- U type bracket for convenient wall mounting applications supplied along with.
- Ideal for use in background & foreground music, home entertainment audio/video and reference monitoring as well as general PA.

SPECIFICATIONS	SMX-902 / SMX-902T	SMX-602 / SMX-602T	SMX-302 / SMX-302T
Input Power	90W RMS	60W RMS	30W RMS
Power Taps	90W, 90/60/30W	60W, 60/30/15W	30W, 30/15/7.5W
Impedance / Voltage	8Ω, 100V	8Ω, 100V	8Ω, 100V
Frequency Response	55-20,000Hz	55-20,000Hz	80-20,000Hz
SPL at 1kHz (1W/1m)	90dB	88dB	86dB
Speaker	Woofer 200mm (8") Tweeter 25mm (1")	Woofer 163mm (6½") Tweeter 25mm (1")	Woofer 100mm (4") Tweeter 25mm (1")
Dimensions	W280 × H380 × D220 mm	W230 × H300 × D200 mm	W165 × H225 × D150 mm
Weight (approx.)	4.43kg / 5.70kg	3.10kg / 3.65kg	2.0kg / 2.5kg

Power Tap Selection (100V Line Models)

- To rotate the switch knob, insert a flat headed object (e.g. a screw driver or a suitable coin) in the slot provided in the knob.
- To select the desired power tap, align the lower arrowhead of the switch knob with the matching power rating as printed on the table.
- The power tap selection, including OFF positions, are indicated by lower arrowhead only.
- Please refer to the diagrams below for the correct selection of the desired power tap.



This lower arrowhead indicates the selected power tap.

SMX-902T

30W	60W	90W	OFF

SMX-602T

15W	30W	60W	OFF

SMX-302T

7.5W	15W	30W	OFF

Design and Specifications are subject to change without notice. • AHUJA is a registered trademark of Ahuja Radios in India and other countries.
 © Copyright Ahuja Radios, 2011 All rights reserved. Any unauthorized reproduction or use of logos, images or design elements is strictly prohibited by law.
 No part of the compilation may be reproduced in any manner or translated without written permission.

AHUJA RADIOS

215, Okhla Industrial Estate, New Delhi-110020, INDIA
 C-45, Phase-II, Noida-201305 (UP) INDIA • 3, Okhla Industrial Estate, New Delhi-110020 INDIA
 Tel.: +91-11-26831549, 41612474 Fax: +91-11-26847287 E-mail: ahuja@ahujaradios.com
 Website: www.ahujaradios.com